



Wow! I Made It.com

Hammock Stand

If you've always wanted to have a hammock in your backyard, but couldn't because your trees weren't in the right place, here's the solution: No, you don't have to dig up two trees and replant them! Build this sturdy hammock stand instead, hang your favorite hammock on it, and place it anywhere you want—preferably where no one will disturb you!



Special Tools and Techniques

- Dadoes
- Mitters

Materials and Supplies

- 44 linear feet of 4 x 4 pine
- 2 fence post finials

Hardware

- 3" screws
- 2" screws
- 5/16" x 4" bolts, with 4 washers and 2 nuts

- T-shaped metal back plates, 4" wide metal screw hangers (sturdy enough to hold a hammock and 2 adults)

Cutting List (for both stands)

Code	Description	Qty.	Materials	Dimensions
A	Cross Tie	2	4 x 4 pine	80" long
B	Upright	2	4 x 4 pine	56-1/2" long
C	Front Brace	2	4 x 4 pine	33-1/2" long
D	Side Brace	4	4 x 4 pine	12" long
E	Footing	2	4 x 4 pine	60" long

Cutting the Pieces

Each stand consists of two identical pieces constructed of 4 x 4 pine. Its strength comes from the system of dados cut into the individual pieces. It's not difficult to do, but requires some patience and rechecking to make certain that each of the boards is properly shaped. Take your time and work carefully, and all the pieces will fit together perfectly. The following are instructions for making one stand. Two stand will be required; if you wish to make them both at the same time, simply repeat each step.

1. Cut one cross tie (A) from 4 x 4 pine, measuring 80: long.
2. Follow *Figure 1* to measure and then cut a lap dado across the width of one end of the crosstie (A), 3-1/2" across and 1-3/4" deep.

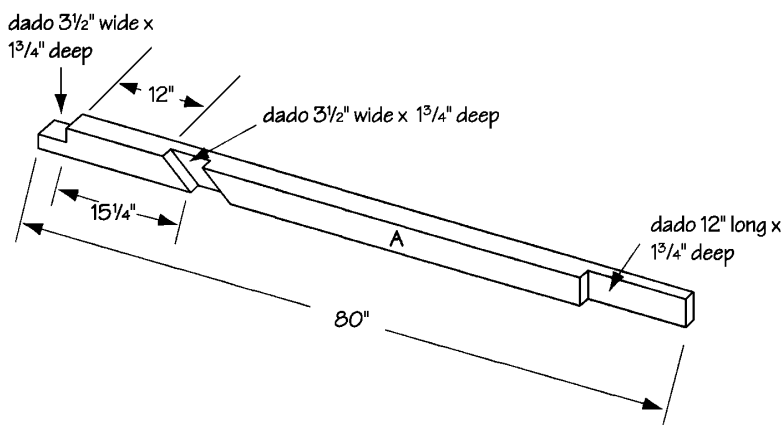


Figure 1

3. As shown in *Figure 1*, but a 45-degree diagonal dado in the cross tie (A), 12 inches from the lap dado, 3-1/2" wide and 1-3/4" deep. *Figure 1* shows an additional 12"-long dado cut on the remaining end. *This dado will be cut later.*

4. Cut one upright (B) from 4 x 4 pine, measuring 56-1/2" long.
5. Follow *Figure 2* to measure and then cut one 45-degree diagonal dado 3-1/2" wide and 1-3/4" deep, 12" from what will be the bottom of the upright support (B).

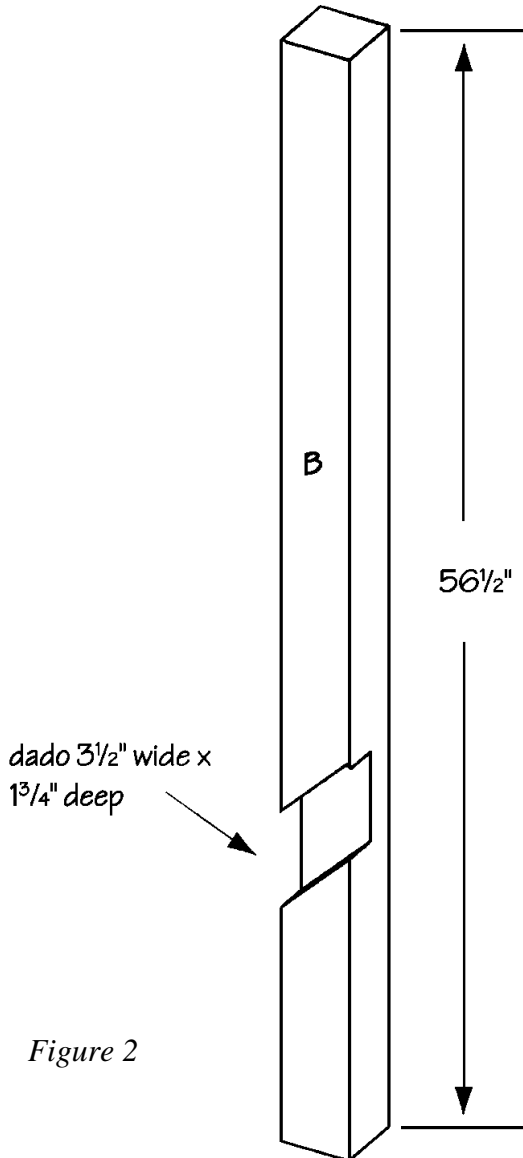


Figure 2

6. Cut one front brace (C) from 4 x 4 pine, measuring 33-1/2" long.
7. Miter both ends of the front brace (C) at opposing 45-degree angles, as shown in *Figure 3*.
8. Cut two opposing diagonal dados in the front brace (C), 3-1/2" wide and 1-3/4" deep, as shown in *Figure 4*.
9. Cut two side braces (D) from 4 x 4 pine, each measuring 12" long.
10. Miter both ends of the side braces (D) at opposing 45-degree angles in the same manner as you did with the front braces (C), shown in *Figure 3*.
11. Cut one footing (E) from 4 x 4 pine, measuring 60" long.
12. Follow *Figure 5* to cut a 3-1/2"-wide dado, 1-3/4" deep, in the center of the footing (E).

Assembling the Stand

1. Place the cross tie (A) on a level surface, with the lap dado exposed on the top, as shown in *Figure 1*.
2. Place the footing (E) dado side down, over the lap dado in the cross tie (A). Screw them together by screwing through the footing dado into the crosstie dado. Use four 3"-long screws to secure the joint.
3. Fit the front brace (C) into the diagonal dado cut into the upright (B), as shown in *Figure 6*.

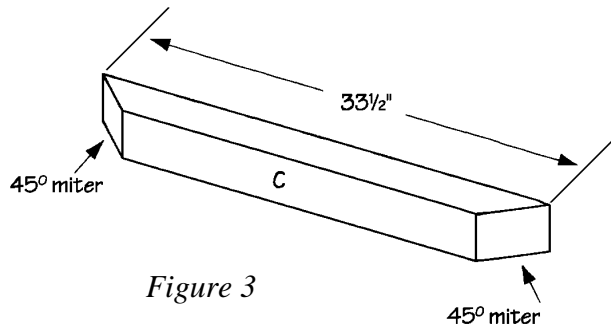


Figure 3

4. Refer to *Figure 7* to complete the final steps of assembly. Place the upright (B) directly over the dado joining the footing (E) and the crosstie (A). Fit the free end of the front brace (C) into the diagonal dado cut in the crosstie (A). *Do not secure the joint yet.*

5. Place the metal back plate, “T” down, over the joint between the upright (B) and the footing (D), so that the side brackets extend around the upright. Screw the back plate to the footing using 2”-long screws through the back plate into the footing.

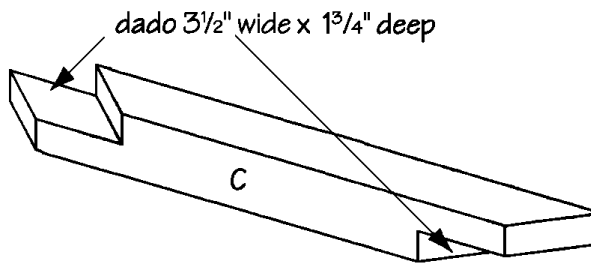


Figure 4

6. Make certain that the upright is exactly square to both the footing and the cross tie. First, screw through the metal back plate to secure the upright in place. Then, screw through the dado joint in the cross tie (A) and front brace (C), using four 3”-long screws. Finally, screw through the dado joint in the upright (B) and front brace (C), using four 3”-long screws.

7. Place one side brace (D), short side down, against the footing (E) and upright (A). Screw through one end of the side brace (D) into the footing (E) and through the other end of the side brace (D) into the upright (A). Use two 3”-long screws on each joint.
8. Repeat Step 7 to attach the remaining side brace (D) to the opposite side of the upright (A) and footing (E). Then, repeat all of the steps to make a second stand.

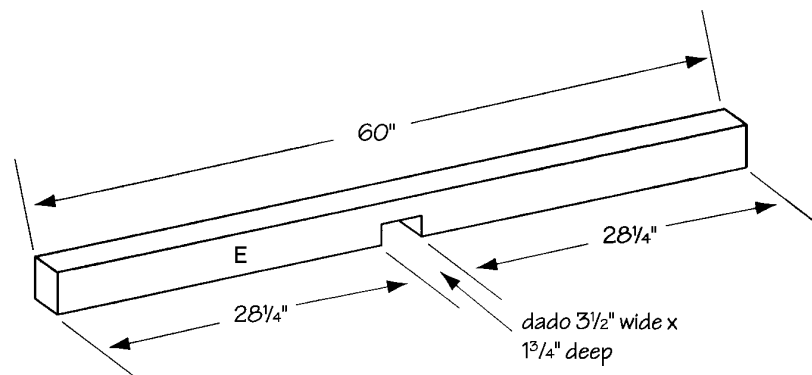


Figure 5

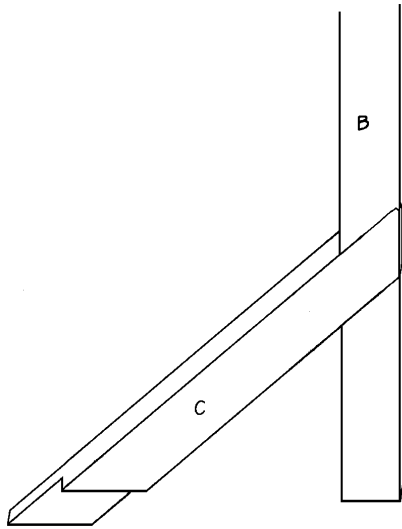


Figure 6

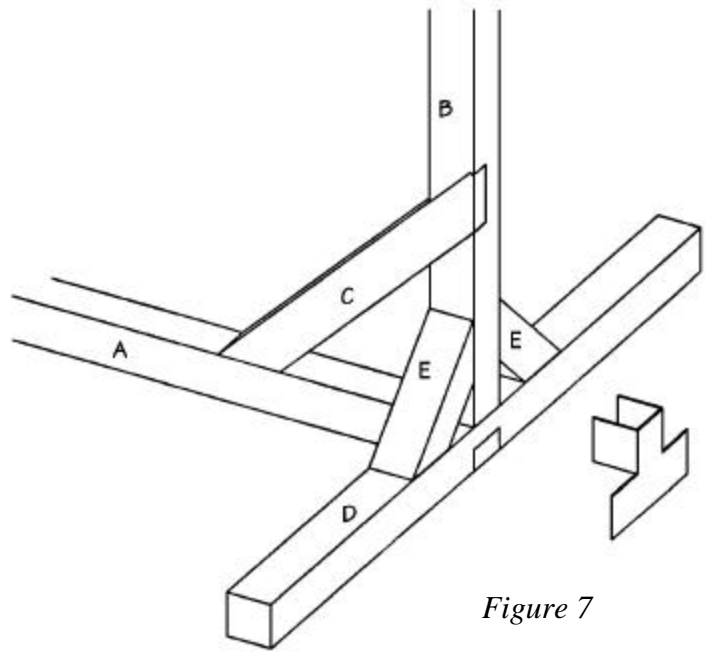


Figure 7

Finishing

1. Screw a metal hanger into each of the uprights (A), about 5" from the top, on the same side as the front brace (C).
2. The ends of the cross ties now must be marked and cut depending upon the size of your hammock. Place the two stands opposite each other, with the ends of the cross ties side by side. Hang your hammock on the hangers between the two stands. Move the two stands closer or farther apart, depending upon the size of your hammock, and how far from the ground you wish the hammock to hang. **IT IS NOT SAFE TO GET IN THE HAMMOCK YET!**
3. When you have decided what length the cross ties (A) should be, mark the length of the cross ties (A), and then mark a 12" length for overlap on each cross tie (A). Cut the cross ties (A) to length.
4. Remember the additional dado shown on the cross tie (A) shown in *Figure 1*? Well, now is the time to cut it. Cut a 12"-long dado 1-3/4" deep in both cross ties, making certain that they are mirror images of each other.
5. Clamp the two dados together, and 3" from each end of the joint, drill two holes through both dados, large enough to accommodate your 4" bolts.
6. Place a washer on each bolt, fit the bolts through the drilled holes, add a second washer and a nut, and tighten the nuts.

7. Mark the center of the top of each upright, and screw in a decorative fence post finial.
8. We left our hammock stand unfinished, but if you wish a more formal look, fill any cracks, crevices, or screw holds with wood filler, and thoroughly sand all surfaces.
9. Paint or stain the finished project the color of your choice, or simply seal it with a clear sealer.
10. Climb in your hammock and take a nap.

**Try other indoor and outdoor projects from
www.wowimadeit.com !**

